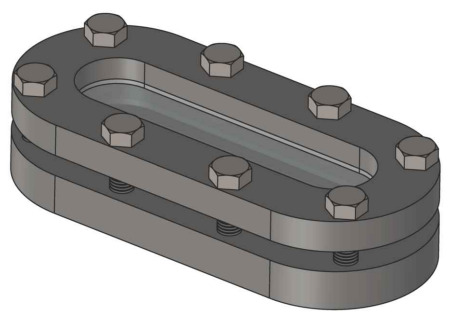


DO NOT SCALE DRAWING  
ASK, IF ANY DOUBT



**SPECIFICATIONS:**

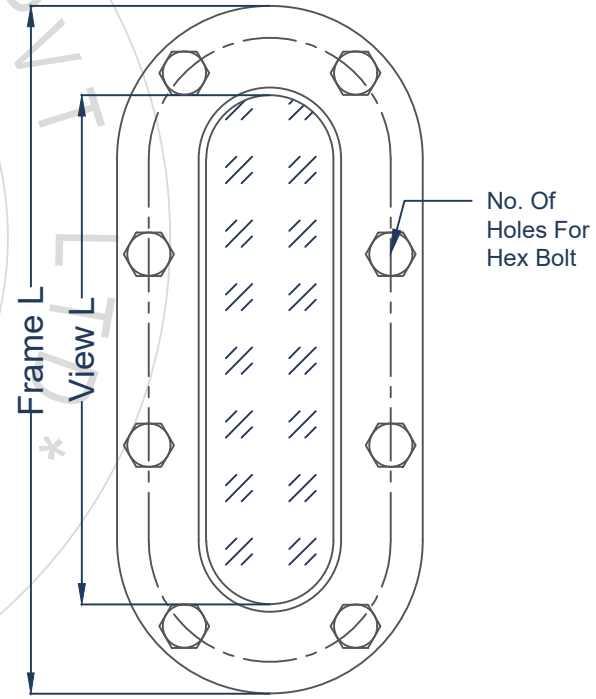
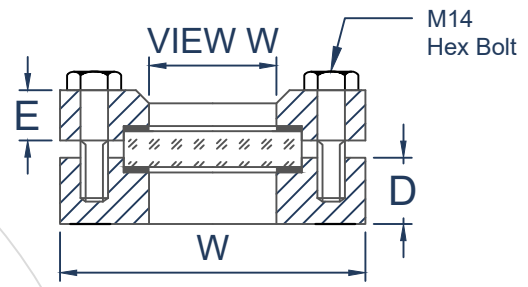
- OPT. TEMPERATURE: 150°C
- HYDRO TEST: 12 KG/CM<sup>2</sup>

**Obround Tank Mounted Sight Glass**

| Size   | W <sub>(±2)</sub> | Frame L <sub>(±3)</sub> | View L <sub>(±3)</sub> | View W <sub>(±1)</sub> | Base Flange THK. (D) <sub>(±1)</sub> | Cover Flange THK. (E) <sub>(±1)</sub> | No. Of Holes For Hex Bolt |
|--------|-------------------|-------------------------|------------------------|------------------------|--------------------------------------|---------------------------------------|---------------------------|
| Size-1 | 120               | 270                     | 200                    | 50                     | 25                                   | 20                                    | 8                         |
| Size-2 | 120               | 340                     | 270                    | 50                     | 25                                   | 20                                    | 10                        |
| Size-3 | 120               | 410                     | 340                    | 50                     | 25                                   | 20                                    | 12                        |
| Size-4 | 120               | 480                     | 410                    | 50                     | 25                                   | 20                                    | 14                        |
| Size-5 | 120               | 550                     | 480                    | 50                     | 25                                   | 20                                    | 16                        |
| Size-6 | 120               | 620                     | 550                    | 50                     | 25                                   | 20                                    | 18                        |

**Material Specification**

| No. | Part Name    | Material               |
|-----|--------------|------------------------|
| 1   | Cover Flange | SS304                  |
| 2   | Base Flange  | SS304                  |
| 3   | Gasket       | PTFE                   |
| 4   | Glass        | Toughened Borosilicate |
| 5   | Fasteners    | SS304                  |



|  |             |             |   |  |  |
|--|-------------|-------------|---|--|--|
| An ISO 9001:2015 Certified Company   |             |             | <b>NOBLE GLASS WORKS PVT. LTD.</b><br>E-52/1, SARDAR INDUSTRIAL ESTATE, AJWA ROAD, BARODA-390 019, [GUJARAT] INDIA.<br>Contact: (+91) 9904406603, Email: info@nobleglass.in<br>Website: www.nobleglass.in |  |  |
| REV.   | DESCRIPTION | APPRD. DATE |   |  |  |
| ALL DIMENSION AND LEVELS ARE IN <b>mm</b> UNLESS OTHERWISE STATED.                                       |             |             | DRN. BY: PRAJJVAL   | TO,                                      |  |
| THIS DRAWING IS THE PROPERTY OF NGWPL AND MUST NOT BE COPIED OR LENT WITHOUT THEIR PERMISSION IN DRAWING |             |             | APPRD. BY: PRATIK   | TITLE : Obround Tank Mounted Sight Glass |  |
|  |             |             | SCALE : NTS   | DRG. NO. : NGWPL/DWG284/23-24            |  |