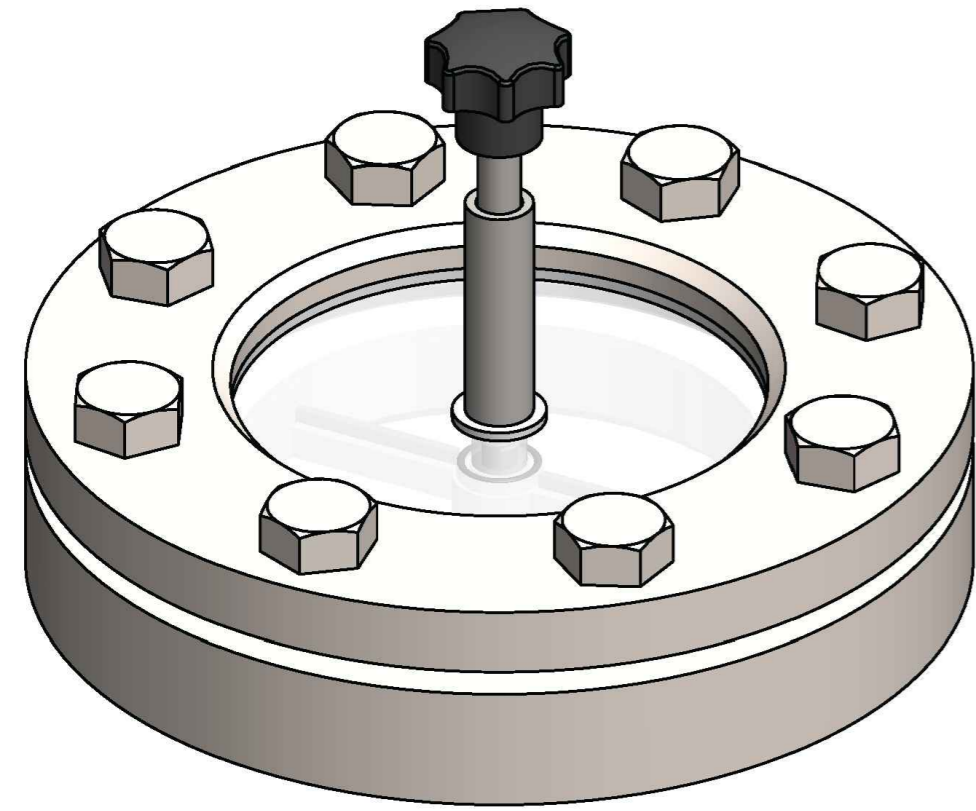
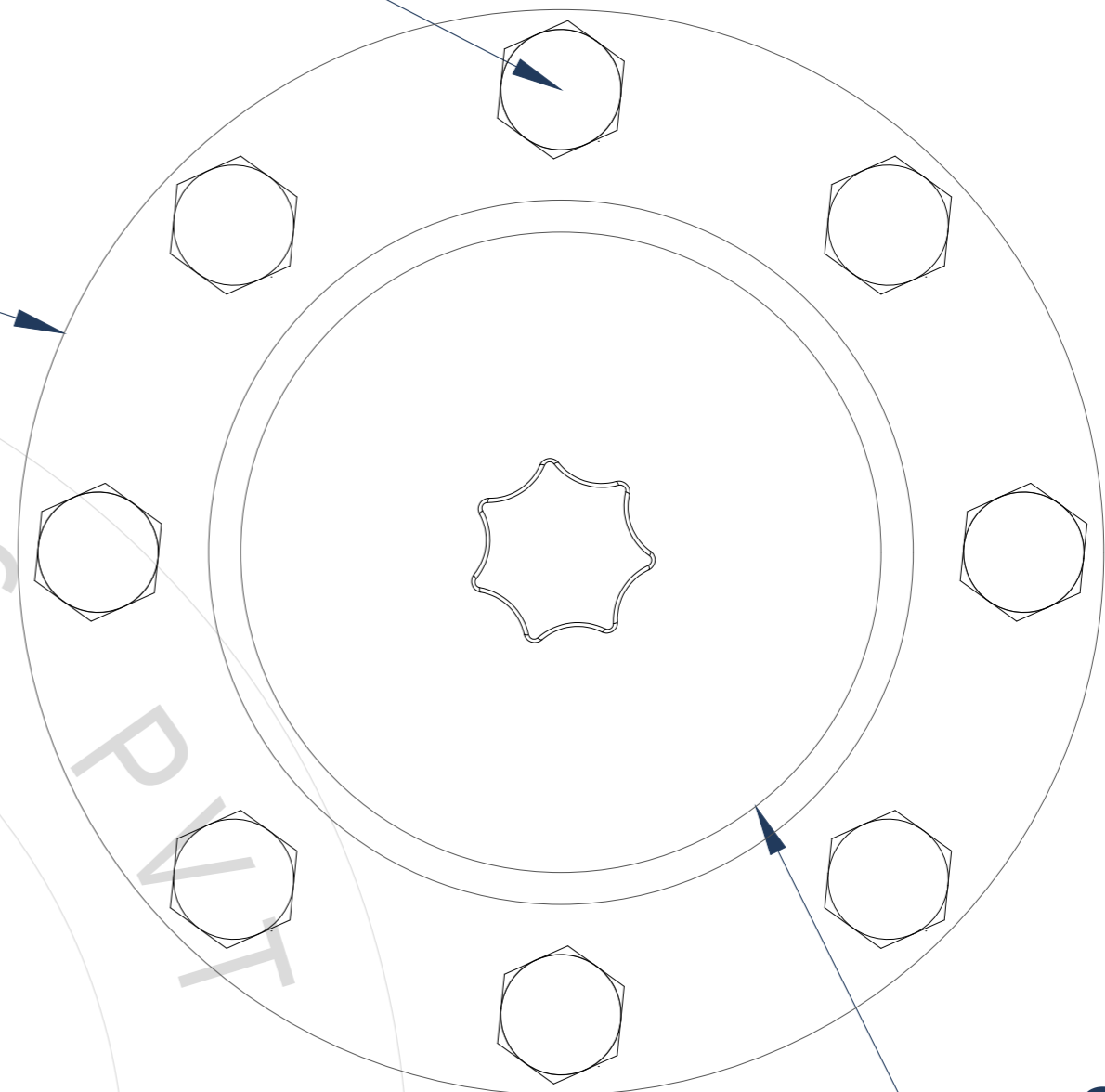


DO NOT SCALE DRAWING  
ASK, IF ANY DOUBT



No. Of Hex Bolt

OD



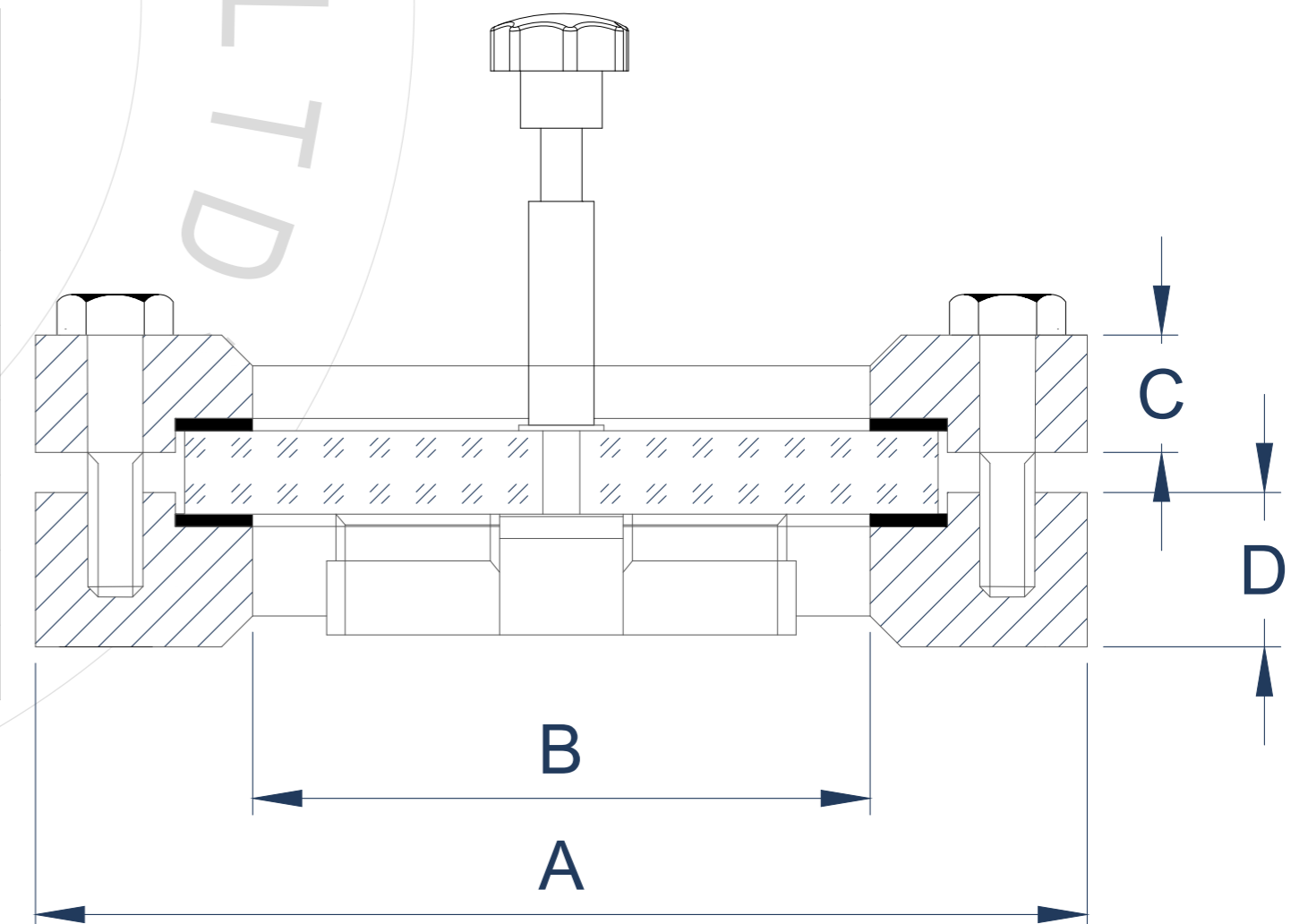
ØVIEW

**SPECIFICATIONS:**

- OPT. TEMPERATURE: 200°C

**Window Wiper Type Tank Mounted Sight Glass**

SIZE	OD (A) <sub>(±2)</sub>	VISIBLE VIEW (B) <sub>(±1)</sub>	FLANGE THK 1 (C) <sub>(±1)</sub>	FLANGE THK 2 (D) <sub>(±1)</sub>	NO. OF HEX BOLTS & SIZE	GLASS THK.	Operating Pressure (kg/cm <sup>2</sup> )
50DN (2")	165	80	16	30	4 x M16	15	6
80DN (3")	200	100	20	30	8 x M16	15	6
100DN (4")	220	125	18	30	8 x M16	15	5
125DN (5")	250	150	18	30	8 x M16	15	4
150DN (6")	285	175	18	36	8 x M20	15	4
200DN (8")	340	225	20	36	8 x M20	15	2



No.	Part Name	Material
1	Weld Flange	SS304
2	Cover Flange	SS304
3	Gasket	PTFE
4	Glass With Wiper	Toughened Borosilicate With PTFE Wiper
5	Fasteners	SS304

An ISO 9001:2015 Certified Company

**NG** NOBLE GLASS WORKS PVT. LTD.  
E-52/1, SARDAR INDUSTRIAL ESTATE, AJWA ROAD, BARODA-390 019. [GUJARAT] INDIA.  
Contact: (+91) 9904406603, Email: info@nobleglass.in  
Website: www.nobleglass.in

REV.	DESCRIPTION	APPRD.	DATE	DRN. BY:	PRAJJVAL	TO,
				APPRD. BY:	PRATIK	
ALL DIMENSION AND LEVELS ARE IN <b>mm</b> UNLESS OTHERWISE STATED.				SCALE :	NTS	TITLE : Window Wiper Type Tank Mounted Sight Glass
THIS DRAWING IS THE PROPERTY OF <b>NGWPL</b> AND MUST NOT BE COPIED OR LENT WITHOUT THEIR PERMISSION IN DRAWING						DRG. NO. : NGWPL/DWG310/24-25
						REV. 01